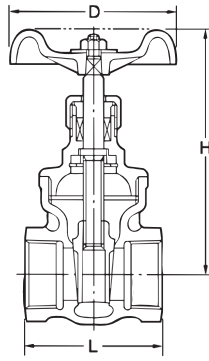


Fig. UEL



Class JIS10K



Pressure-Temperature Rating:
0.98MPa (10kgf/cm²) : 180°C
200psi. W.O.G. : 350°F S.P.

Materials

Parts	Materials
Body	SCS 13A
Bonnet	SCS 13A
Stem	SUS 304
Disc	SCS 13A
Gland	SUS 304
Gland packing	Non asbestos
Packing nut	SCS 13A
Handwheel	ZDC (1/2" & 3/4") / ADC12 (1"-2")
Name plate	A1050P

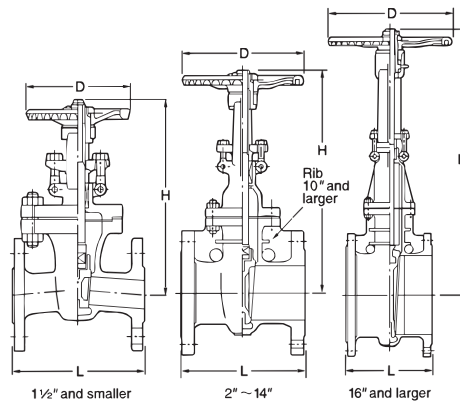
Dimensions

size	mm						
	inch	1/2	3/4	1	1 1/4	1 1/2	2
	mm	15	20	25	32	40	50
L	mm	54	58	65	74	78	87
H	mm	96	101	112	123	150	167
D	mm	70	70	80	80	100	100

Fig. 10UMA/10UMAM



Class JIS10K



Pressure-Temperature Rating: JIS B2238 · ASME B 16.34

Materials

Parts	10UMA	10UMAM
Body	SCS 13A	SCS 14A
Bonnet	SCS 13A	SCS 14A
Stem	SUS 304	SUS 316
Disc	SCS 13A	SCS 14A
Gland	SUS 304	SUS 316
Gland flange	SCS 13A	
Gland packing	Non Asbestos	
Gasket	Non Asbestos	
Yoke sleeve	Ductile Ni-resist	
Yoke	FCD-S	
Handwheel	FCD 400	
Gland bolt/nut	SUS 304/304	
Bonnet bolt/nut	SUS 304/304	
Grease nipple	S20C	
Name plate	A1050P	

- Body seats and/or disc seats can be optionally hard-face.
- Size 1 1/4" is only for 10K
- Flexible wedge for all size

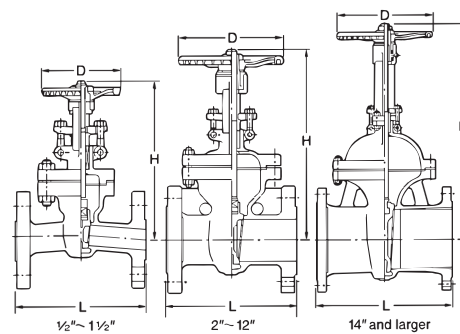
Dimensions

size	mm																			
	inch	1/2	3/4	1	1 1/4	1 1/2	2	2 1/2	3	4	5	6	8	10	12	14	16	18	20	24
	mm	15	20	25	32	40	50	65	80	100	125	150	200	250	300	350	400	450	500	600
L	in.	4.25	4.62	5.00	5.50	6.50	7.00	7.50	8.00	9.00	10.00	10.50	11.50	13.00	14.00	15.00	16.00	17.00	18.00	20.00
	mm	108	117	127	140	165	178	190	203	229	254	267	292	330	356	381	406	432	457	508
H (OPEN)	in.	7.8	8.2	8.8	9.4	11.1	13.2	14.8	17.5	20.6	23.9	28.0	36.2	44.0	52.1	58.5	66.5	74.4	82.7	96.9
	mm	198	208	224	238	282	336	375	445	523	606	710	920	1117	1324	1486	1690	1890	2100	2460
D	in.	3.5	3.5	3.9	3.9	5.5	6.3	7.1	7.9	8.9	9.8	9.8	11.8	13.8	15.8	17.7	23.6	23.6	26.8	29.9
	mm	90	90	100	100	140	160	180	200	225	250	250	300	350	400	450	600	600	680	760

Fig. 20UMA/20UMAM



Class JIS20K



Pressure-Temperature Rating: JIS B2238 · ASME B 16.34

Materials

Parts	20UMA	20UMAM
Body	SCS 13A	SCS 14A
Bonnet	SCS 13A	SCS 14A
Stem	SUS 304	SUS 316
Disc	SCS 13A	SCS 14A
Gland	SUS 304	SUS 316
Gland flange	SCS 13A	
Gland packing	Non Asbestos	
Gasket	Non Asbestos	
Yoke	FCD-S	
Yoke sleeve	Ductile Ni-resist	
Handwheel	FCD 400	
Gland bolt/nut	SUS 304/304	
Gland bolt pin	SUS 403	
Bonnet bolt/nut	SUS 304/304	
Grease nipple	S20C	
Name plate	A1050P	

- Body seats and/or disc seats can be optionally hard-face.
- Flexible wedge for all

Dimensions

size	mm																		
	inch	1/2	3/4	1	1 1/2	2	2 1/2	3	4	5	6	8	10	12	14	16	18	20	24
	mm	15	20	25	40	50	65	80	100	125	150	200	250	300	350	400	450	500	600
L	in.	5.50	6.00	6.50	7.50	8.50	9.50	11.12	12.00	15.00	15.88	16.50	18.00	19.75	30.00	33.00	36.00	39.00	45.00
	mm	140	152	165	190	216	241	283	305	381	403	419	457	502	762	838	914	991	1143
H (OPEN)	in.	8.1	8.5	9.3	11.5	13.9	15.9	18.5	22.1	24.7	29.7	38.1	46.1	54.3	62.6	71.3	78.0	86.2	101.6
	mm	207	217	236	292	353	404	470	560	626	753	968	1170	1380	1590	1810	1980	2190	2580
D	in.	3.9	3.9	3.9	5.5	7.1	7.1	8.9	9.8	11.8	13.8	15.8	17.7	19.7	23.6	23.6	26.8	29.9	35.8
	mm	100	100	100	140	180	180	225	250	300	350	400	450	500	600	600	680	760	910